

**VALLEY GUTTER**

FL2050 - VALLEY GUTTER

---

FL2050 - VALLEY GUTTER

[Download the DWG file by clicking here.](#)

**VALLEY GUTTER INSTALLATION**

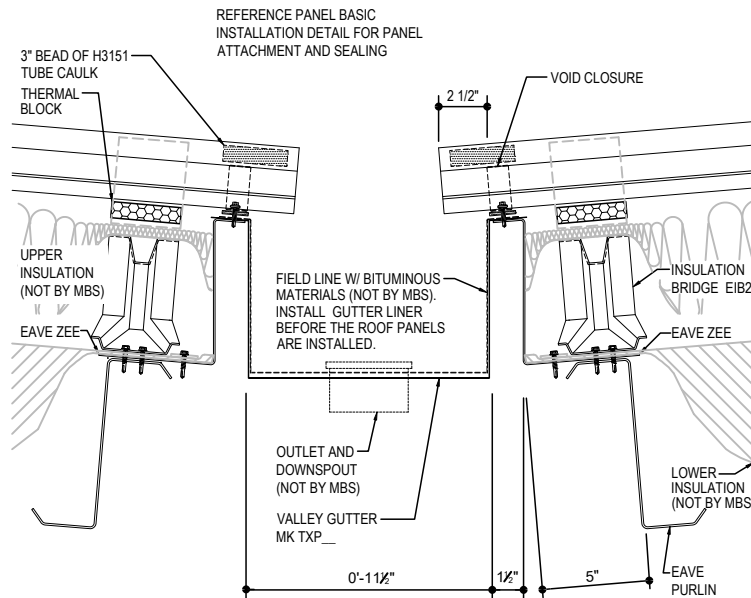
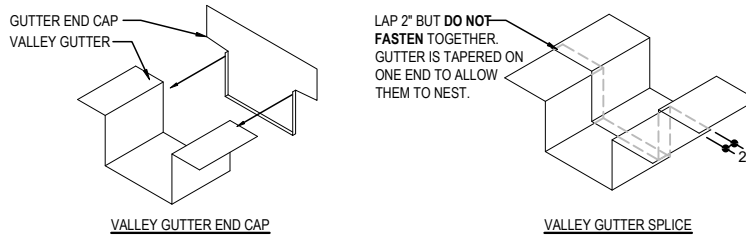
**ERECTOR NOTE**

VALLEY AND PARAPET GUTTERS ARE DESIGNED TO FUNCTION AS FREE-FLOWING GUTTER SYSTEMS. THEY MUST BE DESIGNED WITH ADEQUATE DRAINAGE AND KEPT FREE OF DEBRIS AND OTHER MATERIALS THAT MAY RESTRICT WATER FLOW. IT IS RECOMMENDED TO USE HEAT TAPE TO REDUCE THE LIKELIHOOD OF ICE AND SNOW BUILD UP IN THE GUTTER.

RUBBER LINER FOR VALLEY GUTTERS IS NOT SUPPLIED BY MBS. INSTALL BEFORE THE ROOF PANELS AND BACKER PANELS ARE INSTALLED.

**PARAPET GUTTER SPLICE AND ENDCAP PREPARATION**

FIELD WELD THE VALLEY GUTTER END CAP TO THE VALLEY GUTTER. USING GVCU PAY CLOSE ATTENTION TO THE DETAIL AND THE ORIENTATION OF THE PARAPET END CAP.



**R-Boost™ VALLEY GUTTER DETAIL**

R-BOOST LOW EAVE DETAIL w/ VALLEY GUTTER  
REFERENCE BASIC PANEL INSTALLATION DETAIL FOR SEALING PANEL

**FL2050**

**Detailer Notes:**

- 1) N/A